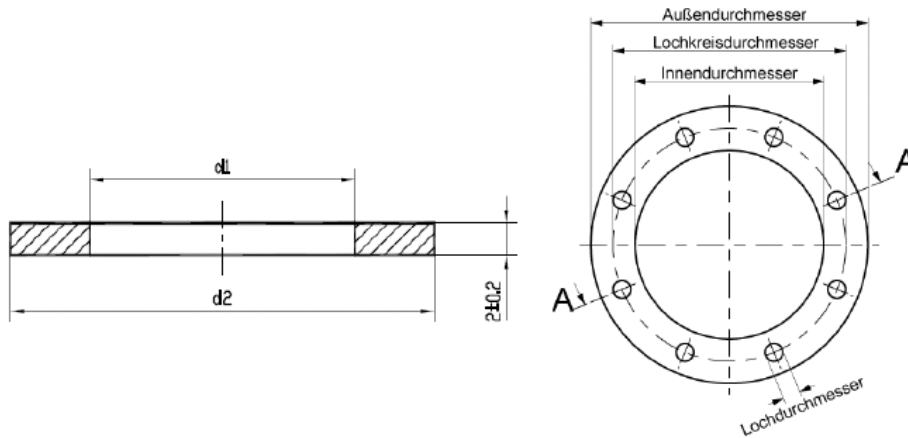


Maattabellen Flensdichtingen ASME B16.21



Maße in mm*

Nennweite		IBC = RF					Form FF				Form SR	Form TG	
		Class 150	Class 300	Class 600	Class 900	Schrauben löcher		LK Class 150	Class 300-900	Class 300-900			
DN	NPS	d1	d2				d2	n	Ø		d2	d1	d2
	"	mm	mm	mm	mm	mm		mm	inch	mm	mm	mm	mm
15	1/2	22	47,5	54,0	63,5	89,0	4	15,9	5/8	60,3	35,0	25,5	35,0
20	3/4	27	57,0	66,5	69,5	98,0	4	15,9	5/8	69,8	43,0	33,5	43,0
25	1	34	66,5	73,0	79,0	108,0	4	15,9	5/8	79,4	51,0	38,0	51,0
32	1 1/4	43	76,0	82,5	89,0	117,0	4	15,9	5/8	88,9	64,0	47,5	64,0
40	1 1/2	49	85,5	95,0	98,0	127,0	4	15,9	5/8	98,4	73,0	54,0	73,0
50	2	61	104,5	111,0	142,5	152,0	4	19,0	3/4	120,6	92,0	73,0	92,0
65	2 1/2	73	124,0	130,0	165,0	178,0	4	19,0	3/4	139,7	105,0	85,5	105,0
80	3	89	136,5	149,0	168,0	190,0	4	19,0	3/4	152,4	127,0	108,0	127,0
100	4	115	174,5	181,0	193,5	206,0	8	19,0	3/4	190,5	157,0	132,0	157,0
125	5	141	196,5	216,0	241,0	247,5	8	22,2	7/8	215,9	186,0	160,5	186,0
150	6	169	222,0	251,0	266,5	289,0	8	22,2	7/8	241,3	216,0	190,5	216,0
200	8	220	279,0	308,0	320,5	358,5	8	22,2	7/8	298,4	270,0	238,0	270,0
250	10	273	339,5	362,0	400,0	435,0	12	25,4	1	362,0	324,0	286,0	324,0
300	12	324	409,5	422,0	457,0	498,5	12	25,4	1	431,8	381,0	343,0	381,0
350	14	356	450,5	485,5	492,0	520,5	12	28,6	1 1/8	476,2	413,0	374,5	413,0
400	16	407	514,0	539,5	565,0	574,5	16	28,6	1 1/8	539,8	470,0	425,5	470,0
450	18	458	549,0	597,0	612,5	638,0	16	31,8	1 1/4	577,8	533,0	498,0	533,0
500	20	508	606,5	654,0	682,5	698,5	20	31,8	1 1/4	635,0	584,0	533,5	584,0
600	24	610	717,5	774,5	790,5	838,0	20	34,9	1 3/8	749,3	692,0	641,5	692,0

*Toleranzen nach DIN ISO 2768 Toleranzklasse V