

Applications

Teguflex® Viton®, also well-known as Teguflex® FP, is suitable for a variety of applications, where aggressive chemicals (strong acids, aromatic solvents or hydrocarbons and fuels) or high temperature products are involved. Beside the standard grade, many other special kinds of Viton, formulated to satisfy different resistance requirements, can meet the best performance in every particular case. Please, ask our commercial team.

Compensate for thermal elongation and misalignment.

Isolate vibrations, dampen noise and pressure surges, in connection with pipes, pumps, etc.

Do not use either low molecular weight ethers nor ketones applications.

Main properties

- Excellent ozone and weather resistance.
- Low deformation on compression at high temperature.
- Working temperature: Satisfactory results from -15°C to 150°C.

Design

Teguflex® Viton® expansion joint is composed of a special fluor-elastomeric compound (VITON®), suitable for extremely tough applications and aramide fabric reinforcement, ensuring a long service life with remained properties.

Building length 130/150/200 mm.

Turnable flanges.

Our ranges Trelleborg S and Trelleborg FFI can also be manufactured in a Viton® quality. For further information, please contact us.

Materials

| Colour Label | Inner tube | Outer cover | Max. temp. °C | Applications |
|---------------|------------|-------------|---------------|--|
| Double Purple | Viton® | Viton® | 150° | Highly aggressive chemicals and/or high temperature. |

Note: Viton® is a registered trademark of Dupont Dow Elastomer.

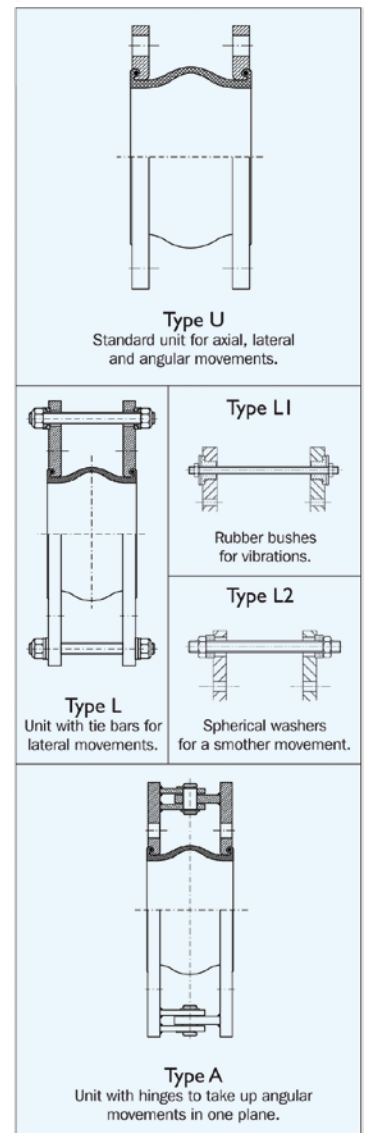
Pressure rating

| Pressure | Temperature | DN 25 - DN 150 | DN 200 - DN 300 |
|----------------|-------------|-----------------------|-----------------|
| | | Max. working pressure | 90°C 150°C |
| Test pressure | 20°C | 16 bar | 12 bar |
| Burst pressure | 20°C | >40 bar | >30 bar |

Teguflex® Viton®
Trelleborg TF BL130-200

Expansion Joints

DN 25-DN 300



Flange qualities

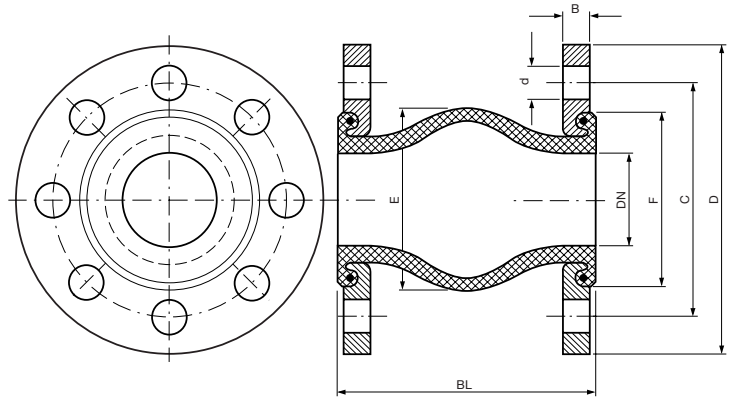
Zinc plated steel flanges are supplied as standard, however other types are available, stainless steel, hot dipped galvanized, etc., which can be obtained from stock.

Flange measurements

DN25-DN300 DIN 2501 PN 6/10/16

(see Flange dimension table for details)

Other flange standards also available. Please ask.



Dimensions and movements

| DN mm | BL mm | Eff. cross-sectional area Q (cm²) | (E) mm | (F) mm | Permissible movements | | | | Max. vacuum | | Weight | |
|-------|-------------|-----------------------------------|--------|--------|-----------------------|---------------|------------|---------|----------------------|-----------------------|-----------------|-------------------------|
| | | | | | Compression mm | Elongation mm | Lateral mm | Angular | W/o support ring bar | With support ring bar | Incl. flange kg | Incl. Tie-rod flange kg |
| 25/32 | 130/150 | 35/24 | 77 | 72 | 30 | 20 | 20 | 35° | 0,8 | 1,0 | 3 | 4 |
| 40 | 130/150 | 50/45 | 85 | 80 | 30 | 20 | 20 | 35° | 0,8 | 1,0 | 3 | 5 |
| 50 | 130/150 | 74/46 | 95 | 90 | 30 | 20 | 20 | 35° | 0,7 | 1,0 | 4 | 6 |
| 65 | 130/150 | 87/92 | 110 | 105 | 30 | 20 | 20 | 30° | 0,6 | 1,0 | 5 | 7 |
| 80 | 130/150 | 120/110 | 125 | 120 | 30 | 20 | 20 | 30° | 0,5 | 1,0 | 6 | 8 |
| 100 | 130/150 | 143/163 | 145 | 140 | 30 | 20 | 20 | 25° | 0,5 | 1,0 | 7 | 10 |
| 125 | 130/150 | 210/228 | 170 | 165 | 30 | 20 | 20 | 25° | 0,4 | 1,0 | 8 | 12 |
| 150 | 130/150 | 283/321 | 195 | 190 | 30 | 20 | 20 | 15° | 0,3 | 1,0 | 10 | 16 |
| 200 | 130/150/200 | 525/549 | 245 | 240 | 30 | 20 | 20 | 15° | 0,3 | 1,0 | 15 | 24 |
| 250 | 130/200 | 636/766 | 295 | 290 | 30 | 20 | 20 | 10° | 0,2 | 1,0 | 20 | 34 |
| 300 | 130/200 | 897/975 | 345 | 340 | 30 | 20 | 20 | 10° | 0,2 | 1,0 | 24 | 45 |

Note: Maximum values do not apply simultaneously.

Optional equipment:

Vacuum rings, Falme guard, etc, are available. Please ask for information.

Approvals:



Trelleborg Izarra, S.A.U.

C/ San Vicente, 23 - E01440 Izarra (Alava) - Spain - Tel.: +34 945 437 000 - Fax: +34 945 437 007
 E-mail: izarra@trelleborg.com - E-mail: expansionjoints@trelleborg.com - www.trelleborg.com/expansionjoints

Distributor: