

# BSP thread female coupling,

## smooth shank, without or including aluminium clamps



### Applications

This Thread Coupling offers possibilities to apply different types of connections.

### Advantages

- Reusable safety clamp.

Article No.	ND Thread inch	OD shank mm	OD hose (a) min - max mm	Stock item
<b>Brass BSP Female with polyurethan seal</b>				
<b>without half shell clamps in aluminium</b>				
5100228	1"	25		1
5005002	1" 1/4	32		1
5100229	1" 1/2	38		1
5100230	2"	50		1
5100120	2" 1/2	65		1
5100231	3"	75		1
5100242	4"	100		1
<b>including half shell clamps in aluminium</b>				
117471	1/2"	13	22 - 24	1
117472	3/4"	13	22 - 24	1
113485	3/4"	19	30 - 33	1
117473	1"	19	30 - 33	1
732017	1"	25	36 - 39	1
116600	1" 1/4	25	36 - 39	1
117504	1" 1/2	25	36 - 39	1
732018	1" 1/4	32	43 - 46	1
116603	1" 1/2	32	43 - 46	1
117241	2"	32	43 - 46	1
731656	1" 1/2	38	50 - 52	1
116605	2"	38	50 - 52	1
113505	1" 1/2	40	53 - 56	1
117474	2"	40	53 - 56	1
731658	2"	50	64 - 67	1
116607	2" 1/2	50	64 - 67	1
113699	2" 1/2	65	78 - 82	1
116609	3"	65	78 - 82	1
731661	3"	75	89 - 93	1
113518	3"	80	94 - 97	1
731662	4"	100	114 - 119	1
117099	4"	100	118 - 122	1

continued on next page

### Technical description

Thread coupling: Female BSP, ISO228, swivel nut with seal.

Working pressure = 25 bar.

The hose shank has an annular safety collar and the clamp has a lip which engages behind the collar to prevent hose "blow-off".

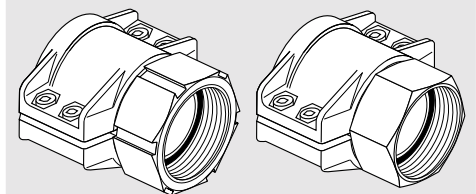
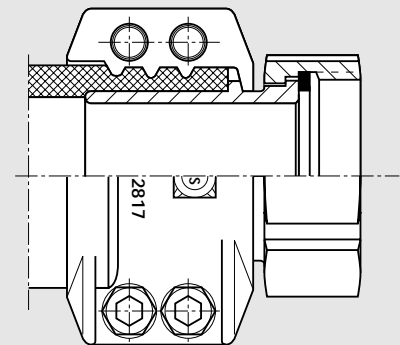
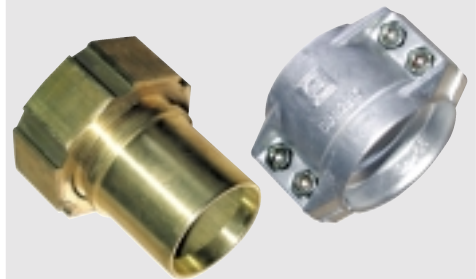
Clamp must be selected according to the outside hose diameter.

### Complementary information

Stainless steel clamps are available.

Steel couplings are available as well.

*This coupling can be delivered, on request, without aluminium clamp to be swaged with serrated ferrule.*



1 = Non stock.

(a) = For clamps for different OD hose : consult us.

04 - 02 - 2002



# BSP thread female coupling, smooth shank, without or including aluminium clamps

Couplings for Petroleum and Chemical hoses

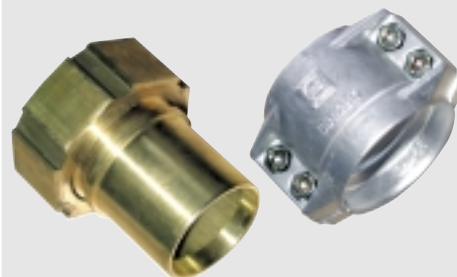
Couplings for Petroleum and Chemical hoses

Article No.	ND Thread inch	OD shank mm	OD hose (a) min - max mm	Stock item
<i>continued from previous page</i>				
<b>Tin plated brass BSP Female with polyurethan seal</b>				
including half shell clamps in aluminium				
117672	3/4"	19	30 - 33	•
117409	1"	19	30 - 33	•
116651	1"	25	36 - 39	•
116652	1" 1/4	25	36 - 39	1
116656	1" 1/4	32	43 - 46	•
116657	1" 1/2	32	43 - 46	1
117242	2"	32	43 - 46	1
116660	1" 1/2	38	50 - 52	•
116661	2"	38	50 - 52	1
116664	2"	50	64 - 67	•
116665	2" 1/2	50	64 - 67	•
116668	2" 1/2	65	78 - 82	•
116669	3"	65	78 - 82	•
116672	3"	75	89 - 93	•
117100	4"	100	118 - 122	•
<b>Stainless steel 310 Ti BSP Female with teflon seal (b)</b>				
without half shell clamps in aluminium				
100008	3/4"	19		1
100009	1"	25		1
100010	1" 1/4	32		1
100011	1" 1/2	38		1
100012	2"	50		1
100013	2" 1/2	65		1
100014	3"	75		1
5100171	4"	100		1
including half shell clamps in aluminium				
117476	1/2"	13	22 - 24	1
113680	3/4"	19	30 - 33	1
113683	1"	25	36 - 39	1
113686	1" 1/4	32	43 - 46	1
113689	1" 1/2	38	50 - 52	1
113691	1" 1/2	40	53 - 56	1
113695	2"	50	64 - 67	1
113696	2" 1/2	65	78 - 82	1
113701	3"	75	89 - 93	1
113703	4"	100	114 - 119	1

• = Stock item.  
1 = Non stock.

(a) = For clamps for different OD hose : consult us.  
(b) = Stainless stel coupling with teflon coated on request.

This coupling can be delivered, on request, without aluminium clamp to be swaged with serrated ferrule.



04 - 02 - 2002