

RS-swivel Flange Coupling, ISO PN20 (ASA 150),

smooth shank, including aluminium clamps



Couplings for Petroleum and Chemical hoses

Couplings for Petroleum and Chemical hoses

Applications

Universal flange-coupling in different materials- steel, stainless steel - for different media.

Technical description

The hose shank has an annular safety collar and the clamp has a lip which engages behind the collar to prevent hose "blow-off".

Clamps must be selected according to the outside hose-diameter. Standardised drilling.

Complementary information

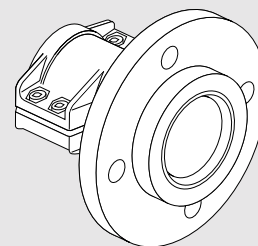
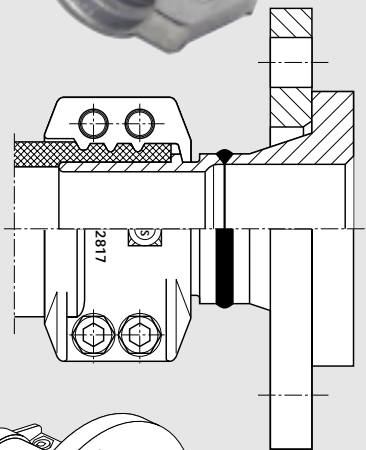
AL-clamps are standard. Stainless clamps are available on request.

This coupling can be delivered, on request, without aluminium clamp to be swaged with serrated ferrule.

Article No.	ND drilling		ID shank mm	OD hose (a) min - max mm	Stock item
	mm	inch			
SWIVEL flange, ISO PN20 (ASA 150), Steel nipple and flange, AL-clamps included					
117505	ND 15	1/2"	13	22 - 24	1
113708	ND 20	3/4"	19	30 - 33	1
113714	ND 25	1"	25	36 - 39	1
113720	ND 32	1" 1/4	32	43 - 46	1
111544	ND 40	1" 1/2	38	50 - 52	1
111911	ND 40	1" 1/2	40	53 - 56	1
111551	ND 50	2"	50	64 - 67	1
111534	ND 65	2" 1/2	65	78 - 82	1
111532	ND 80	3"	75	89 - 93	1
111576	ND 80	3"	80	94 - 97	1
111533	ND 100	4"	100	114 - 119	1
111535	ND 125	5"	125	143 - 148	1
111536	ND 150	6"	150	168 - 174	1
111538	ND 200	8"	200	222 - 229	1
SWIVEL flange, ISO PN20 (ASA 150), Stainless steel 316 TI nipple and flange, AL-Clamps included					
117506	ND 15	1/2"	13	22 - 24	1
117507	ND 20	3/4"	19	30 - 33	1
117508	ND 25	1"	25	36 - 39	1
117509	ND 32	1" 1/4	32	43 - 46	1
117510	ND 40	1" 1/2	38	50 - 52	1
117511	ND 40	1" 1/2	40	53 - 56	1
117512	ND 50	2"	50	64 - 67	1
117513	ND 65	2" 1/2	65	78 - 82	1
117514	ND 80	3"	75	89 - 93	1
117515	ND 80	3"	80	94 - 97	1
117516	ND 100	4"	100	114 - 119	1
117518	ND 150	6"	150	168 - 174	1
SWIVEL flange, ISO PN20 (ASA 150), Stainless steel nipple, Steel flange, AL-clamps included					
117520	ND 15	1/2"	13	22 - 24	1
117521	ND 20	3/4"	19	30 - 33	1
117522	ND 25	1"	25	36 - 39	1
117523	ND 32	1" 1/4	32	43 - 46	1
117524	ND 40	1" 1/2	38	50 - 52	1
117525	ND 40	1" 1/2	40	53 - 56	1
117526	ND 50	2"	50	64 - 67	1
117527	ND 65	2" 1/2	65	78 - 82	1
117528	ND 80	3"	75	89 - 93	1
117529	ND 80	3"	80	94 - 97	1
117530	ND 100	4"	100	114 - 119	1
117532	ND 150	6"	150	168 - 174	1

1 = Non stock.

(a) = For clamps for different OD hose : consult us.



04 - 02 - 2002