

RS-fixed flange coupling, ISO PN20 (ASA 150),

smooth shank, including aluminium clamps



Applications

Universal flange-coupling in different materials- steel, stainless steel - for different media.

Article No.	ND drilling		ID shank mm	OD hose (a) min - max mm	Stock item
	mm	inch			
FIXED flange, ISO PN20 (ASA 150), Steel nipple and flange, AL-clamps included					
117534	ND 15	1/2"	13	22 - 24	1
113705	ND 20	3/4"	19	30 - 33	1
113711	ND 25	1"	25	36 - 39	1
113717	ND 32	1" 1/4	32	43 - 46	1
111530	ND 40	1" 1/2	38	50 - 52	1
111903	ND 40	1" 1/2	40	53 - 56	1
111555	ND 50	2"	50	64 - 67	1
111527	ND 65	2" 1/2	65	78 - 82	1
111525	ND 80	3"	75	89 - 93	1
111569	ND 80	3"	80	94 - 97	1
111526	ND 100	4"	100	114 - 119	1
111528	ND 125	5"	125	143 - 148	1
111529	ND 150	6"	150	168 - 174	1
111531	ND 200	8"	200	222 - 229	1
FIXED flange, ISO PN20 (ASA 150), Stainless steel 316 TI nipple and flange, AL-Clamps included					
117535	ND 15	1/2"	13	22 - 24	1
117536	ND 20	3/4"	19	30 - 33	1
117537	ND 25	1"	25	36 - 39	1
117538	ND 32	1" 1/4	32	43 - 46	1
117539	ND 40	1" 1/2	38	50 - 52	1
117540	ND 40	1" 1/2	40	53 - 56	1
115182	ND 50	2"	50	64 - 67	1
115183	ND 65	2" 1/2	65	78 - 82	1
115184	ND 80	3"	75	89 - 93	1
115185	ND 80	3"	80	94 - 97	1
115186	ND 100	4"	100	114 - 119	1
117542	ND 150	6"	150	168 - 174	1

1 = Non stock.

(a) = For clamps for different OD hose : consult us.

Technical description

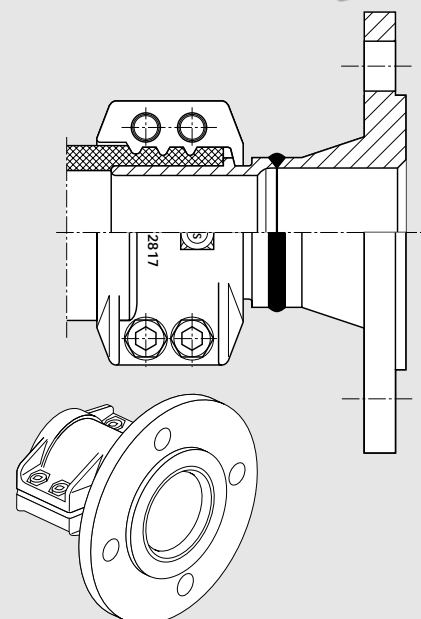
The hose shank has an annular safety collar and the clamp has a lip which engages behind the collar to prevent hose "blow-off".

Clamps must be selected according to the outside hose-diameter. Standardised drilling.

Complementary information

AL-clamps are standard. Stainless clamps are available on request. Fixed flanges are raised face-type.

This coupling can be delivered, on request, without aluminium clamp to be swaged with serrated ferrule.



04 - 02 - 2002