

# RS-fixed flange coupling, ISO PN10/PN16, smooth shank, including aluminium clamps



Couplings for Petroleum and Chemical hoses

Couplings for Petroleum and Chemical hoses

## Applications

Universal flange-coupling in different materials- steel, stainless steel - for different media.

Article No.	ND drilling mm	ID shank mm	OD hose (a) min - max mm	Stock item
<b>FIXED flange, ISO PN10/PN16, Steel nipple and flange, AL-Clamps included</b>				
117502	ND 15	13	22 - 24	1
113707	ND 20	19	30 - 33	1
113713	ND 25	25	36 - 39	1
113719	ND 32	32	43 - 46	1
111770	ND 40	38	50 - 52	1
111905	ND 40	40	53 - 56	1
111771	ND 50	50	64 - 67	1
111772	ND 65	65	78 - 82	1
111565	ND 80	75	89 - 93	1
111774	ND 80	80	94 - 97	1
111775	ND 100	100	114 - 119	1
111776	ND 125	125	143 - 148	1
111777	ND 150	150	168 - 174	1
111778	ND 200 *	200	222 - 229	1
<b>FIXED flange, ISO PN10/PN16, Stainless steel 316 TI nipple and flange, AL-Clamps included</b>				
117503	ND 15	13	22 - 24	1
113723	ND 20	19	30 - 33	1
113725	ND 25	25	36 - 39	1
113727	ND 32	32	43 - 46	1
113729	ND 40	38	50 - 52	1
113731	ND 40	40	53 - 56	1
113733	ND 50	50	64 - 67	1
113735	ND 65	65	78 - 82	1
113737	ND 80	75	89 - 93	1
113739	ND 80	80	94 - 97	1
113741	ND 100	100	114 - 119	1
113743	ND 125	125	143 - 148	1
113745	ND 150	150	168 - 174	1
113747	ND 200 *	200	222 - 229	1

1 = Non stock.

(a) = For clamps for different OD hose : consult us.

\* = PN 10. For PN16 : consult us.

## Technical description

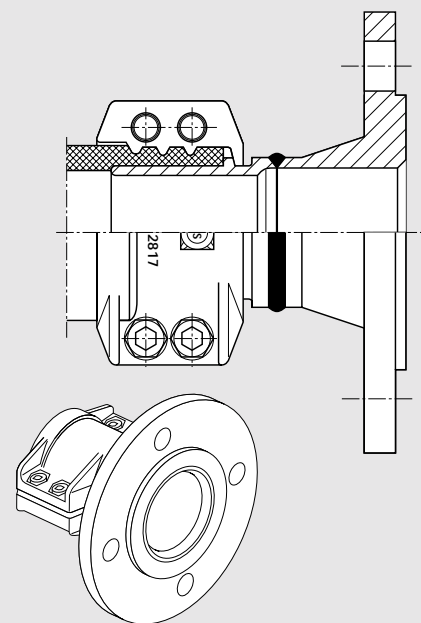
The hose shank has an annular safety collar and the clamp has a lip which engages behind the collar to prevent hose "blow-off".

Clamps must be selected according to the outside hose-diameter. Standardised drilling.

## Complementary information

AL-clamps are standard. Stainless clamps are available on request. Fixed flanges are raised face-type.

*This coupling can be delivered, on request, without aluminium clamp to be swaged with serrated ferrule.*



25 - 05 - 2002