

RS-swivel flange coupling, ISO PN10 / PN16,

smooth shank, including aluminium clamps



Applications

Universal flange-coupling in different materials- steel, stainless steel and polypropylene - for different media.

Technical description

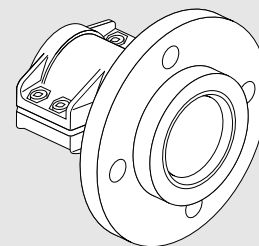
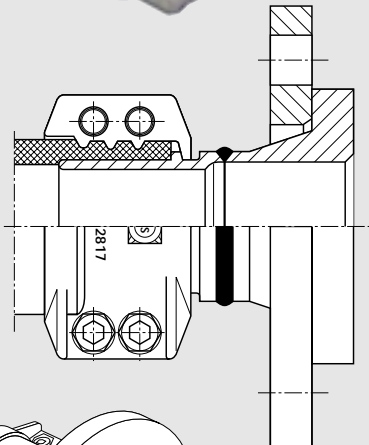
The hose shank has an annular safety collar and the clamp has a lip which engages behind the collar to prevent hose "blow-off".

Clamps must be selected according to the outside hose-diameter. Standardised drilling.

Complementary information

AL-clamps are standard. Stainless clamps are available on request.

This coupling can be delivered, on request, without aluminium clamp to be swaged with serrated ferrule.



Article No.	ND drilling mm	ID shank mm	OD hose (a) min - max mm	Stock item
SWIVEL flange, ISO PN10/PN16, Steel nipple and flange, AL-clamps included				
117477	ND 15	13	22 - 24	1
113710	ND 20	19	30 - 33	1
113716	ND 25	25	36 - 39	1
113722	ND 32	32	43 - 46	1
111779	ND 40	38	50 - 52	1
111913	ND 40	40	53 - 56	1
111780	ND 50	50	64 - 67	1
111781	ND 65	65	78 - 82	1
111566	ND 80	75	89 - 93	1
111783	ND 80	80	94 - 97	1
111784	ND 100	100	114 - 119	1
111785	ND 125	125	143 - 148	1
111786	ND 150	150	168 - 174	1
111787	ND 200 *	200	222 - 229	1
SWIVEL flange, ISO PN10/PN16, Stainless steel 316 TI nipple and flange, AL-Clamps included				
117478	ND 15	13	22 - 24	1
117479	ND 20	19	30 - 33	1
117480	ND 25	25	36 - 39	1
117481	ND 32	32	43 - 46	1
117482	ND 40	38	50 - 52	1
117483	ND 40	40	53 - 56	1
117484	ND 50	50	64 - 67	1
117485	ND 65	65	78 - 82	1
117486	ND 80	75	89 - 93	1
117487	ND 80	80	94 - 97	1
117488	ND 100	100	114 - 119	1
117489	ND 125	125	143 - 148	1
117490	ND 150	150	168 - 174	1
117491	ND 200 *	200	222 - 229	1

continued on next page

1 = Non stock.

(a) = For clamps for different OD hose : consult us.

* = PN 10. For PN16 : consult us.

04 - 02 - 2002

RS-swivel flange coupling, ISO PN10 / PN16,

smooth shank, including aluminium clamps



Couplings for Petroleum and Chemical hoses

Couplings for Petroleum and Chemical hoses

This coupling can be delivered, on request, without aluminium clamp to be swaged with serrated ferrule.

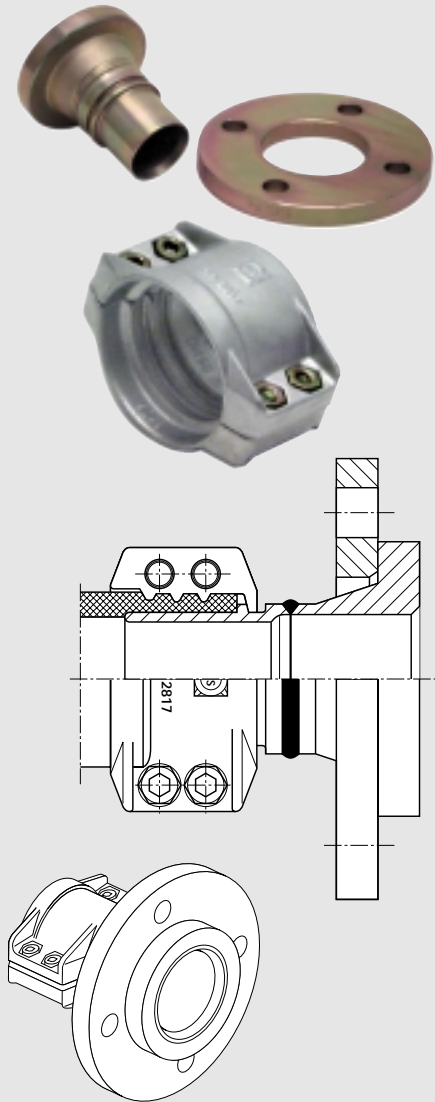
Article No.	ND drilling mm	ID shank mm	OD hose (a) min - max mm	Stock item
<i>continued from previous page</i>				
SWIVEL flange, ISO PN10/PN16, Stainless steel nipple, Steel flange, AL-clamps included				
117492	ND 15	13	22 - 24	1
113724	ND 20	19	30 - 33	1
113726	ND 25	25	36 - 39	1
113728	ND 32	32	43 - 46	1
113730	ND 40	38	50 - 52	1
113732	ND 40	40	53 - 56	1
113734	ND 50	50	64 - 67	1
113736	ND 65	65	78 - 82	1
113738	ND 80	75	89 - 93	1
113740	ND 80	80	94 - 97	1
113742	ND 100	100	114 - 119	1
113744	ND 125	125	143 - 148	1
113746	ND 150	150	168 - 174	1
113748	ND 200 *	200	222 - 229	1
SWIVEL flange, ISO PN10/PN16, Polypropylene nipple and flange steel (b) AL-Clamps included				
117493	ND 25	25	36 - 39	1
117494	ND 32	32	43 - 46	1
117495	ND 40	38	50 - 52	1
117496	ND 40	40	53 - 56	1
117497	ND 50	50	64 - 67	1
117498	ND 65	65	78 - 82	1
117499	ND 80	75	89 - 93	1
117500	ND 80	80	94 - 97	1
117501	ND 100	100	114 - 119	1

1 = Non stock.

(a) = For clamps for different OD hose : consult us.

(b) = For homogeneous polypropylene flange : consult us.

* = PN 10. For PN16 : consult us.



04 - 02 - 2002